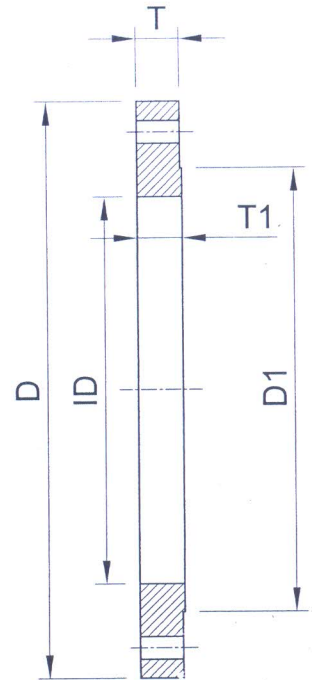
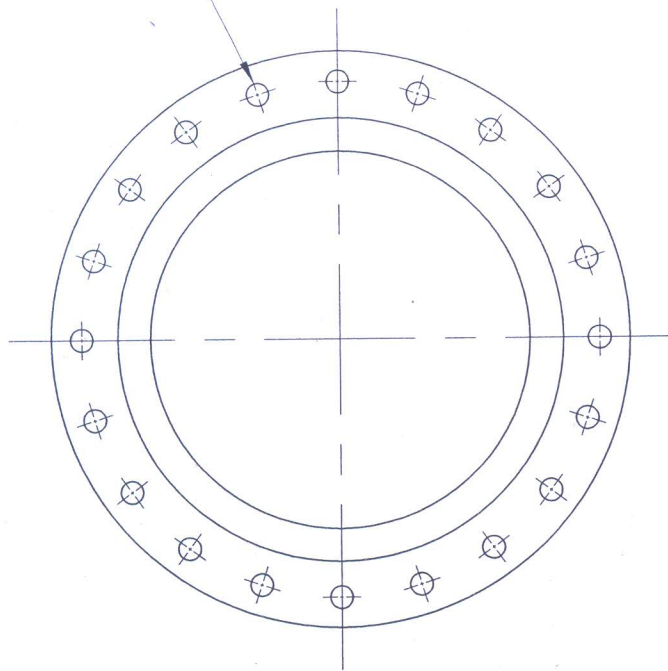


HOLES SUITABLE FOR
BOLT SIZE - E, F
EQUISPACED ON PCD



SR. NO	PIPE SIZE (NOMINAL BORE)	(D)	(ID)	(D1)	(T)	(T1)	NO. OF HOLES (E)	BOLT SIZE (F)
1	NB 400	610	406.4	395	45	47	20	M24
2	NB 300	490	323.9	505	30	32	16	M20

MATERIAL : CAST STEEL

NOTE:

- 1) ALL DIMENSIONS ARE IN MM.
- 2) FLANGE TO BE SUPPLIED WITHOUT MOUNTING HOLES.
- 3) FLANGE TO FIT ON PIPE OF NOMINAL BORE 300 & 400



MORMUGAO PORT TRUST

ENGG. MECH. DEPT.

FLANGE FOR SUCTION LINE ELBOW FOR FIRE FIGHTING SYSTEM AT BERTH NO. 8

DATE 13-11-2017

SCALE N.T.S

DRG. NO. 20171016-2 REV. 0

Sheet 1/1